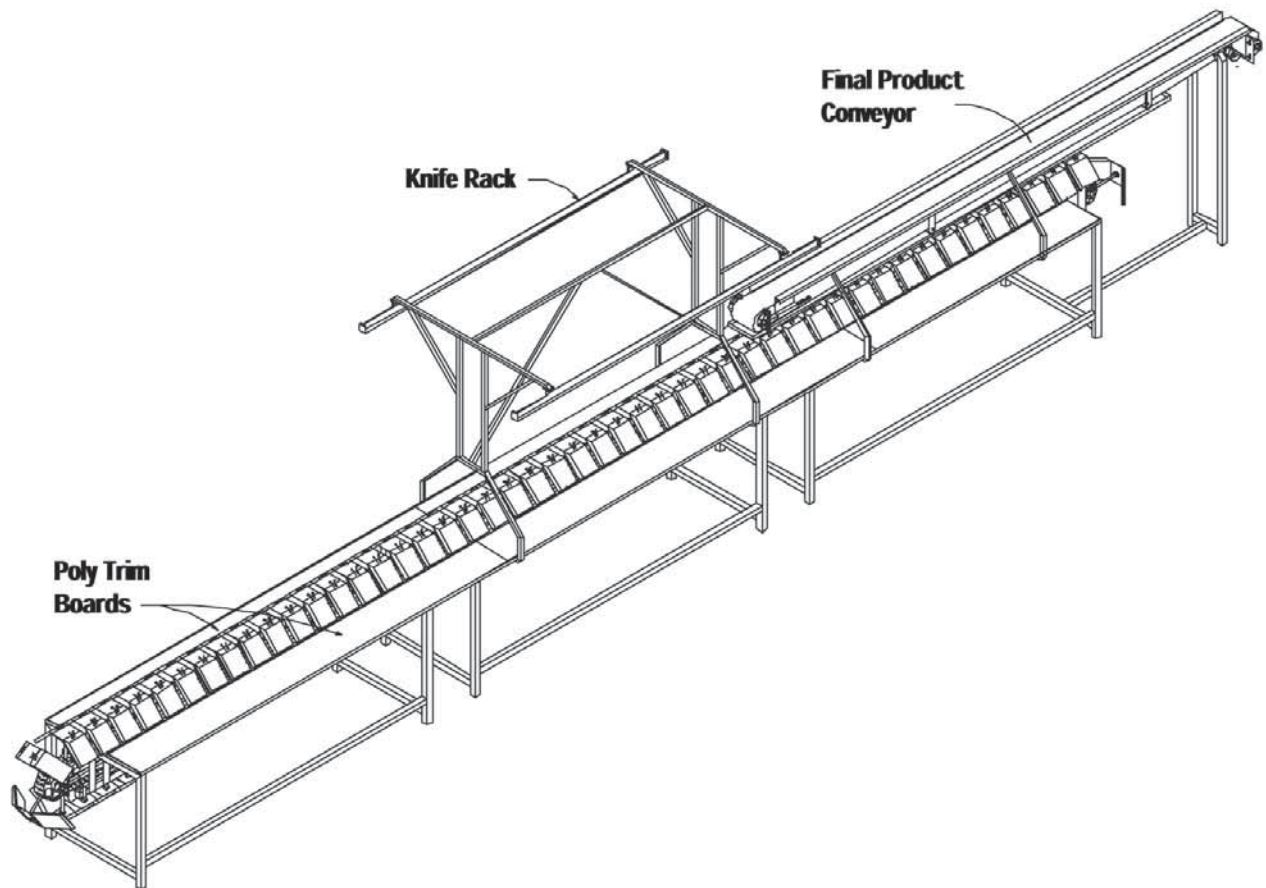
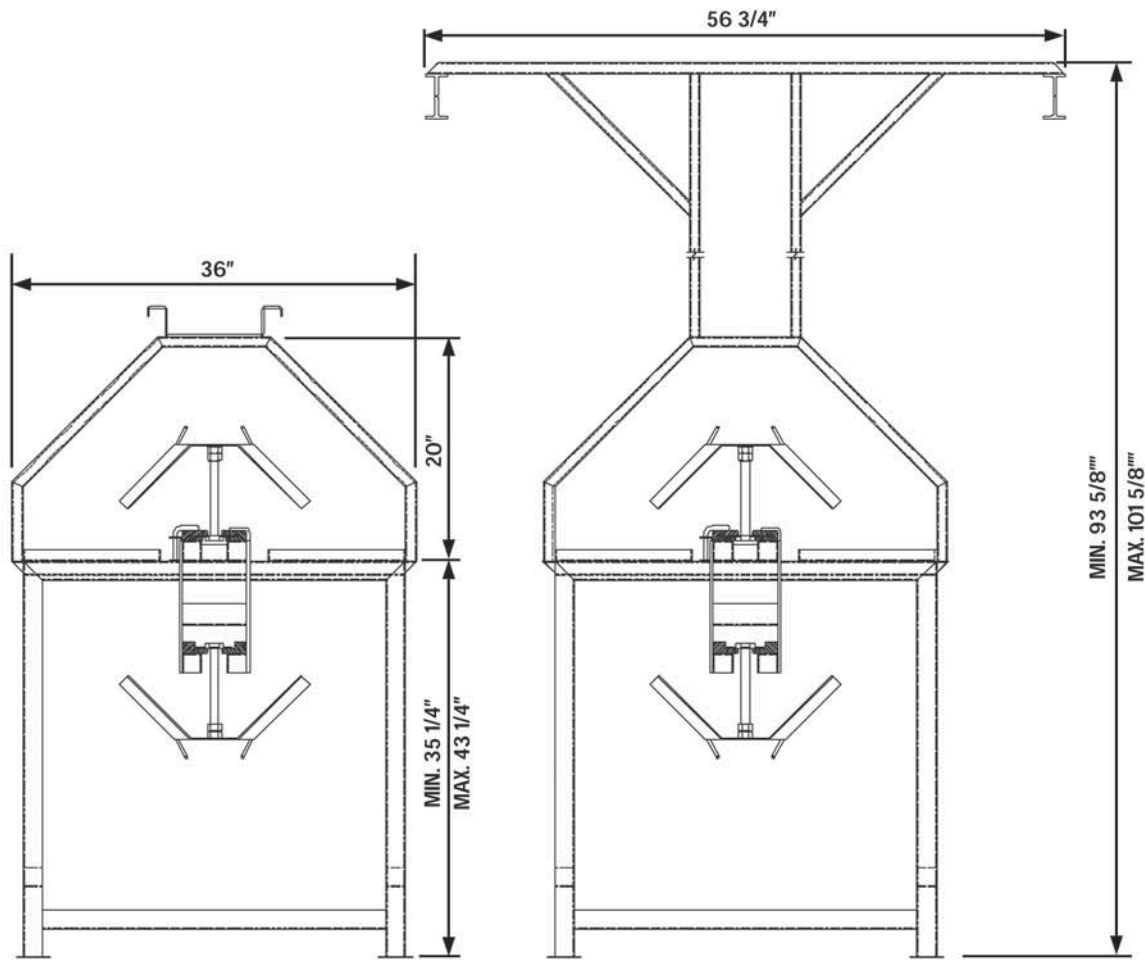


▶ Whole Leg Deboning Line Model No. HBC-110P



▶ The Cantrell Whole Leg Deboning Line is the most economical dark meat deboning system available today. This system maximizes product output while providing an ergonomically sound working area for personnel. The line is designed to run at a capacity of 30-35 legs per minute on each side with staffing of 8 people per side. Constructed of the highest grade stainless steel, this deboning system can be custom designed to meet individual customer specifications.

➤ Whole Leg Deboning Line Model No. HBC-110P



System shown above is not limited to one setup. Length and direction of final product can be customized to meet your specific need. **Note: Product capacity and staffing are subject to change with varying lengths and configurations.*

The specifications as stated herein are the most current at the time of publication. However, consistent with our standard of continual product improvement, we reserve the right to change the design without notice or obligation to modify any equipment previously sold or delivered.