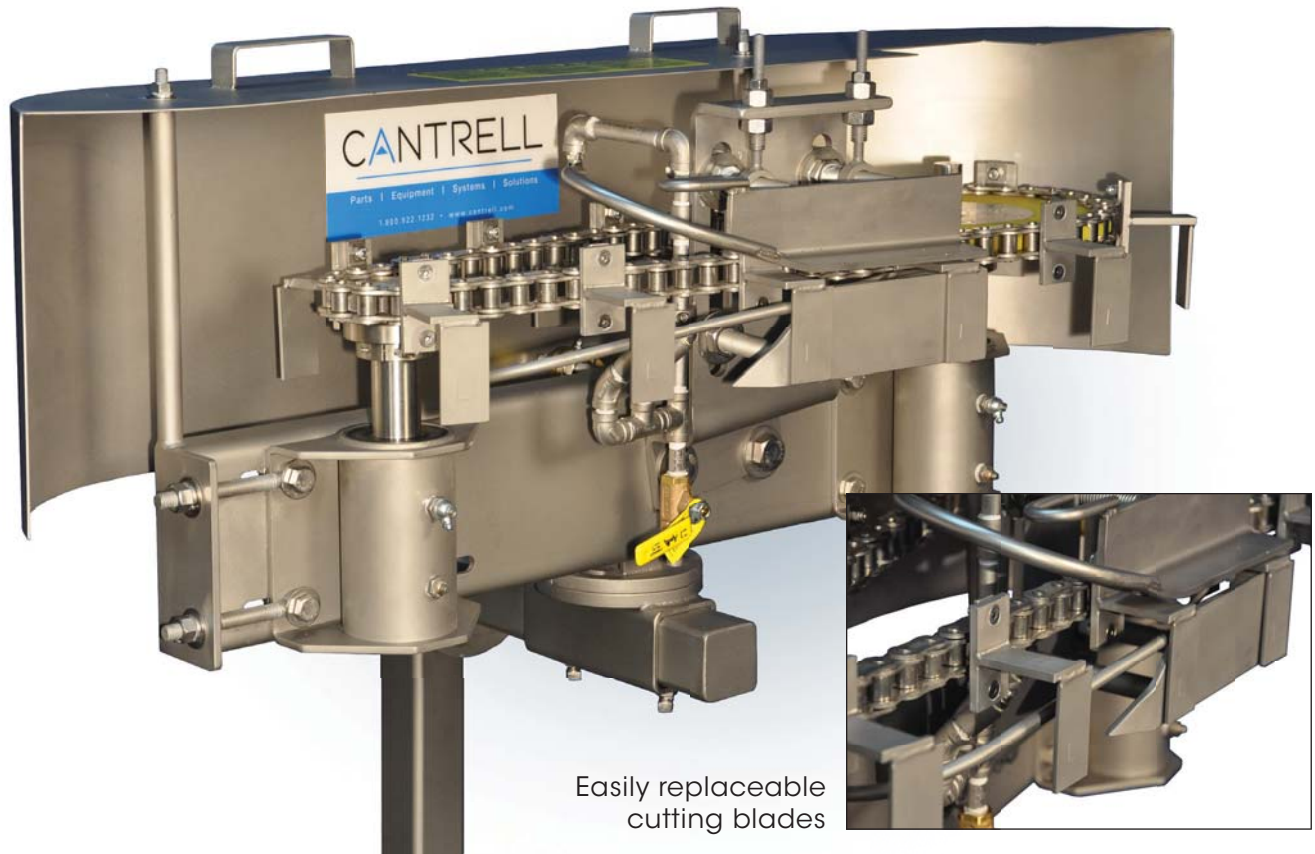


# CANTRELL

Parts | Equipment | Systems | Solutions

## ▶ Oil Sac Cutter Model No. OSC-1300



Easily replaceable  
cutting blades

▶ The Cantrell Oil Sac Cutter is designed to remove the oil gland from poultry tails as they move along the processing line. An infeed chain guides the tail into a pinch point where the oil gland is forced into the opening of a V-shaped blade. As the tail is forced across the V-notch, the oil gland is pinched and cut away from the tail. Powered by the overhead conveyor, the OSC-1300 can be adapted to a number of conveyor types and manufactured to process birds on 6", 8" and 9" centers at speeds up to 12,000 BPH. Constructed entirely with corrosion resistant materials, the Oil Sac Cutter ensures easy sanitation with minimal maintenance.

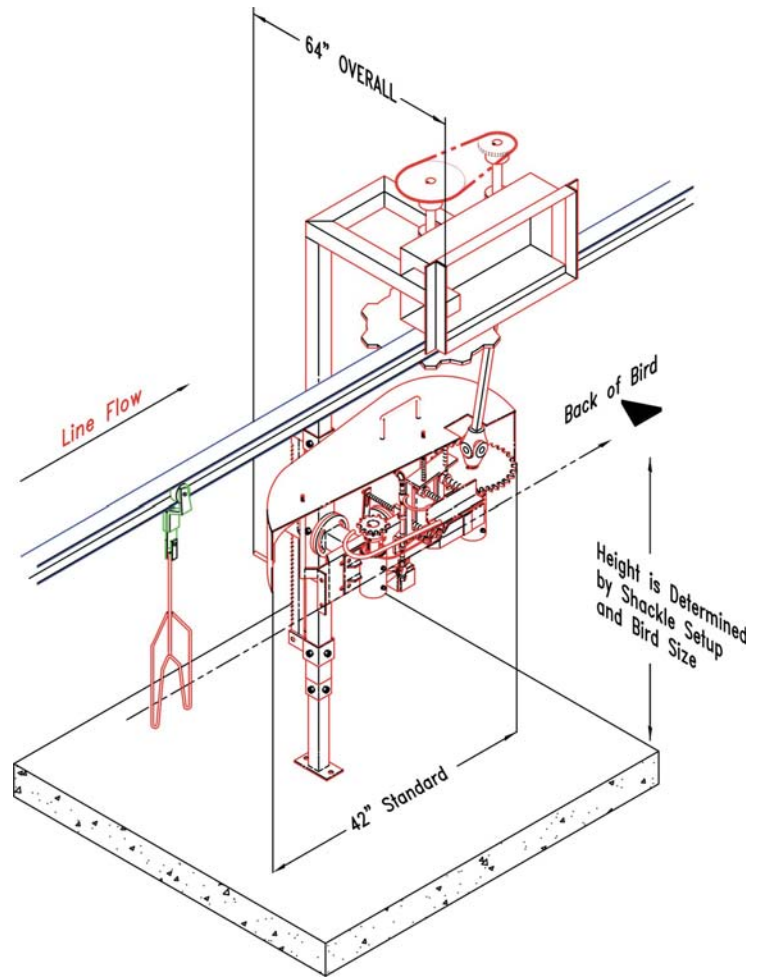
# CANTRELL

Parts | Equipment | Systems | Solutions

## Oil Sac Cutter Model No. OSC-1300

**Cantrell quality not offered by the competition:**

- Replacement blades rather than complete chain replacement
- Stainless steel sprockets
- Enclosed bearings prevent rusting



## TECHNICAL SPECIFICATIONS

Position In Line:	First on eviscerating
Capacity:	12,000 BPH
Water Connection:	1/4 in.
Rotation:	Determined by facing back of bird (available in right-hand or left-hand machine)
Width:	64 in. Overall / 1626 mm
Length:	42 in. Standard / 1067 mm
Height:	Determined by shackle setup and bird size

The specifications as stated herein are the most current at the time of publication. However, consistent with our standard of continual product improvement, we reserve the right to change the design without notice or obligation to modify any equipment previously sold or delivered.